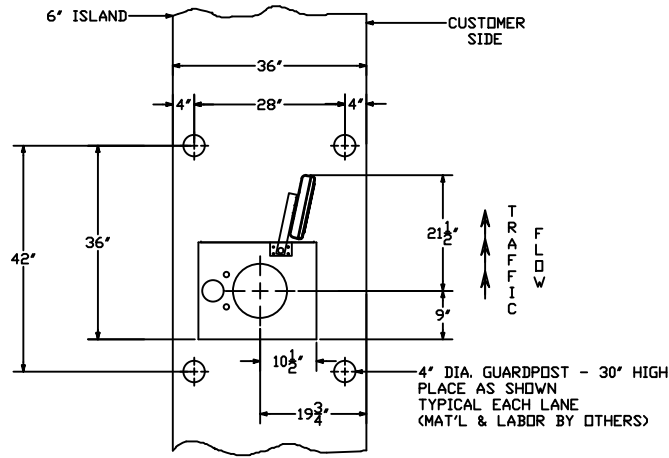
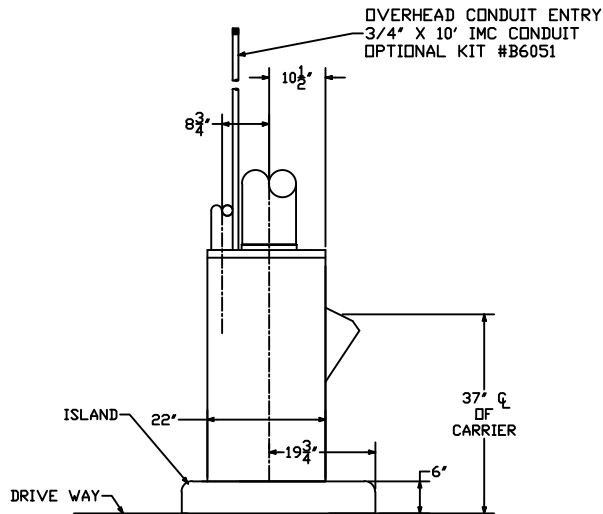


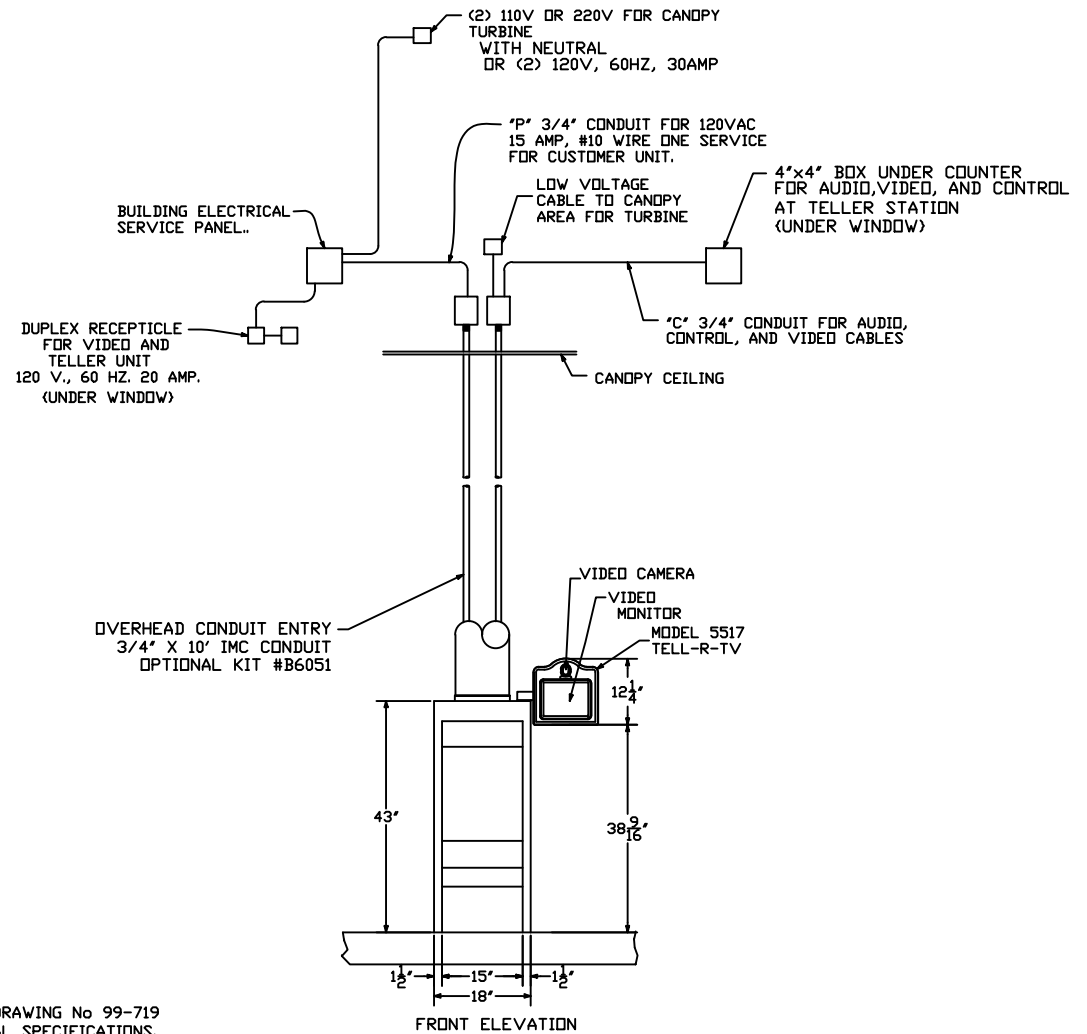
REV.-1	DATE: 3/5/12	Corrected Set Back Island Width
REV.-2	DATE:	
REV.-3	DATE:	



PLAN VIEW OF HA-33 W/
MODEL 5517 TELL-R-TV



LEFT SIDE ELEVATION



NOTE : REFER TO DRAWING No 99-719
FOR GENERAL SPECIFICATIONS.
AND DRAWING No 99-1030
FOR TELLER UNIT DETAILS.

est. 1967 HAMILTON CUSTOM MADE SECURITY	PROPRIETARY AND CONFIDENTIAL THESE DRAWINGS ARE THE PROPERTY OF HAMILTON SAFE CO. AND SHALL NOT BE REPRODUCED, COPIED, USED AS THE BASIS FOR MANUFACTURE OR SALE OF APPARATUS WITHOUT PERMISSION	DESCRIPTION	
		MODEL HA-33 UPSEND (10" TUBE) 4 CUSTOMER UNIT WITH MODEL 5517 TELL-R-TV AND OVERHEAD ELECTRIC	
		DRAWING/MODEL NUMBER	DATE
		99-1029	10/08/2021